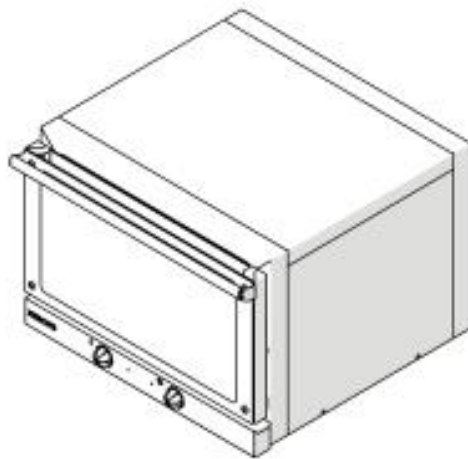


# User Manual for Convection Oven



- Thank you for purchasing our products.
- Please pay attention to the safety operation instructions before using this product.
- Please keep the manual properly after reading for reference.
- Due to the continuous improvement of our products, we are subject to change without prior notice.

## 1、 Product overview

It is a electric oven,They can bake a variety of bread (especially suitable for high surface oil bread), Chinese pastry, peach cake, Danish, puffs, cookies, wife cake, heavy oil cake, pineapple cake, etc., is the most ideal baking equipment

## 2、 Features

2.1 Fast heating and high thermal efficiency

2.2 Thick insulation, save energy

2.3 The baking tray is suspended in the oven so that the hot air inside is convection, the baking uniformity is good.

## 3、 Parameters

Number	Parameter	unit	Model		
			OV433G	OV533GN	OV6043
1	Rated Voltage	V	220V		
2	Frequency	Hz	50HZ		
3	Current	A	/	/	/
4	Rated Power	kW	3.1+1.7KW	4KW	4KW
5	Temp Range	°C	30-280		
6	Time	min	0-60		
7	shelf	mm	430x350 4 trays	530x325 4trays	600x400 3trays
8	Size(W×D×H)	mm	590x675x585	685x665x585	770x725x560
9	Surface Temp	Side of Shell	°C	≤40	
		Side of Door		≤65	
10	Weight	kg	34	37	39

Number	Parameter	unit	Model	
			OV6044H	OV6044HG
1	Rated Voltage	V	220V	380V
2	Frequency	Hz	50HZ	
3	Current	A	/	/
4	Rated Power	kW	4KW	6.3+1.7KW
5	Temp Range	°C	30-280	
6	Time	min	0-60	
7	shelf	mm	600x400 4trays	600x400 4trays
8	Size(W×D×H)	mm	770x725x610	770x725x610
9	Surface Temp	Side of Shell	≤40	
		Side of Door	≤65	
10	Weight	kg	50	

#### 4、 Installation and Adjustment

Install the stove in a dry, ventilated place that is away from the strong sun light and away from strong electromagnetic fields. Leave a 30mm gap between the body and the wall.

#### 5、 Control Panel



No	Icon	Element
1		1. off                    2. CONVECTIONPLUS FANSRESISTANCE 3. VENTILATEDGRILL                    4. GRILL
2		SPRAY KNOB
3		TEMPERATURE KNOB
4		RESISTANCE LIGHT
5		MANUAL RE-ENGAGEMENT
6		LIGHT "ON"
7		<b>Time knob</b>

### Step



1. Turn the time knob and set it to the desired time.

Note: when switched on, the 'on' light illuminates green.

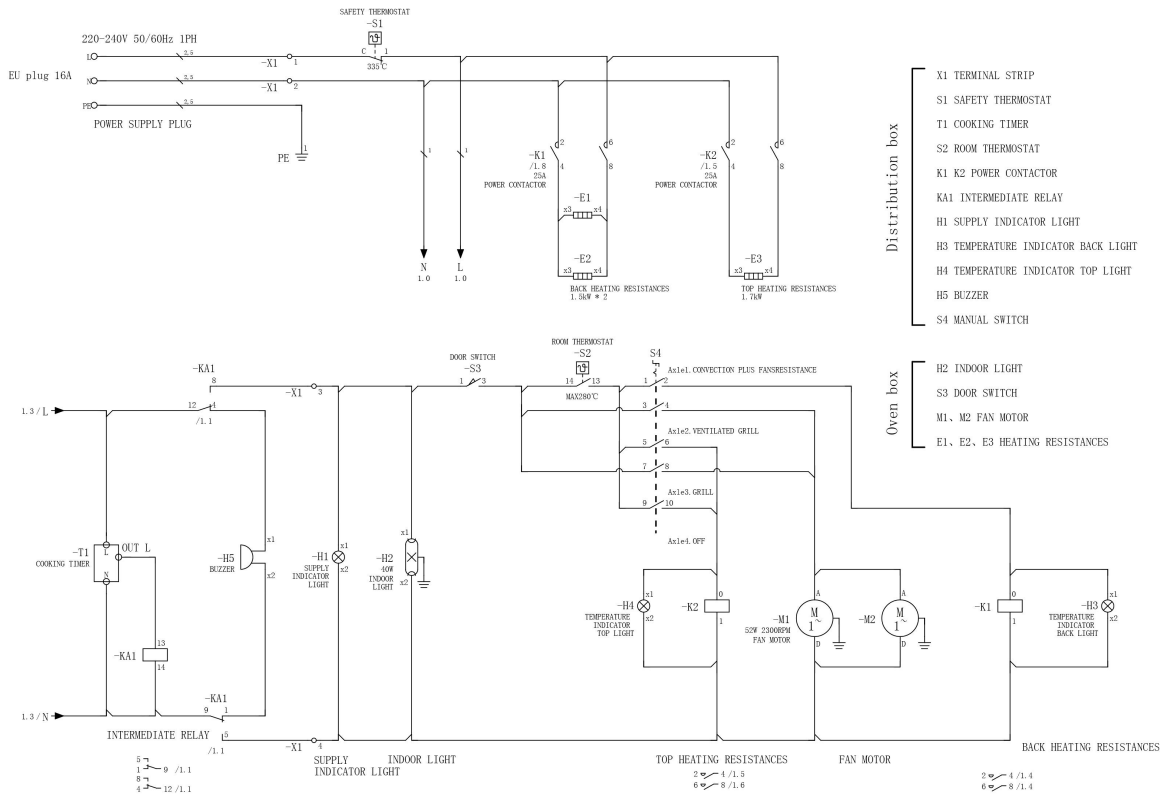
Note: in position () the oven stays on without time limitations.



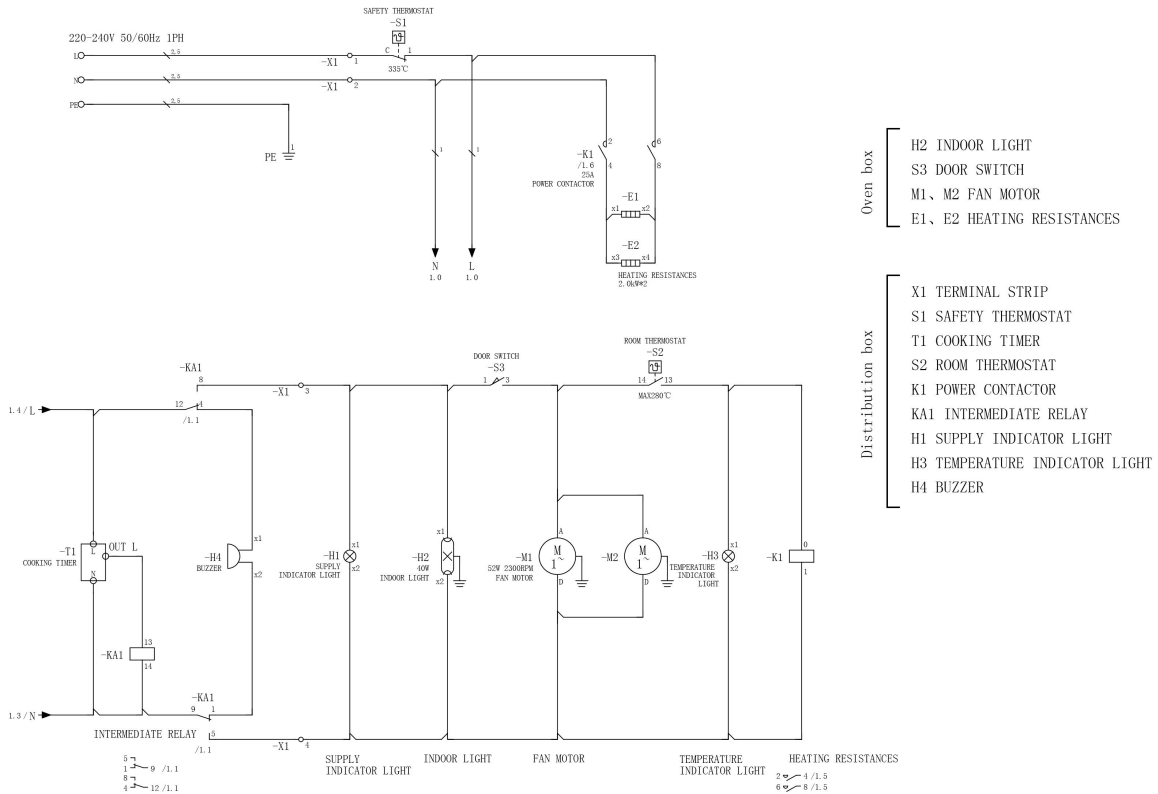
2. Turn the temperature knob and set it to the desired cooking temperature.

Note: the resistance light switching on indicates that the desired temperature is about to be reached. Once reached, the light switches off.

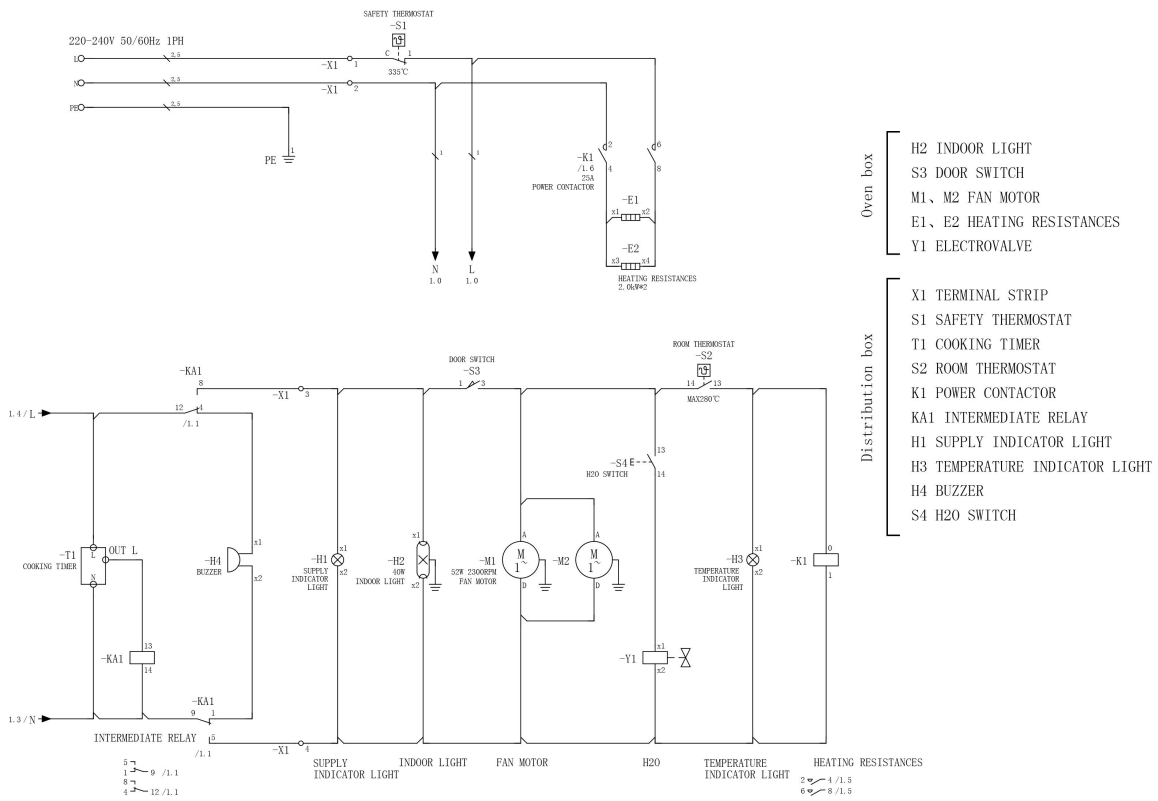
# 6、Diagram OV433G



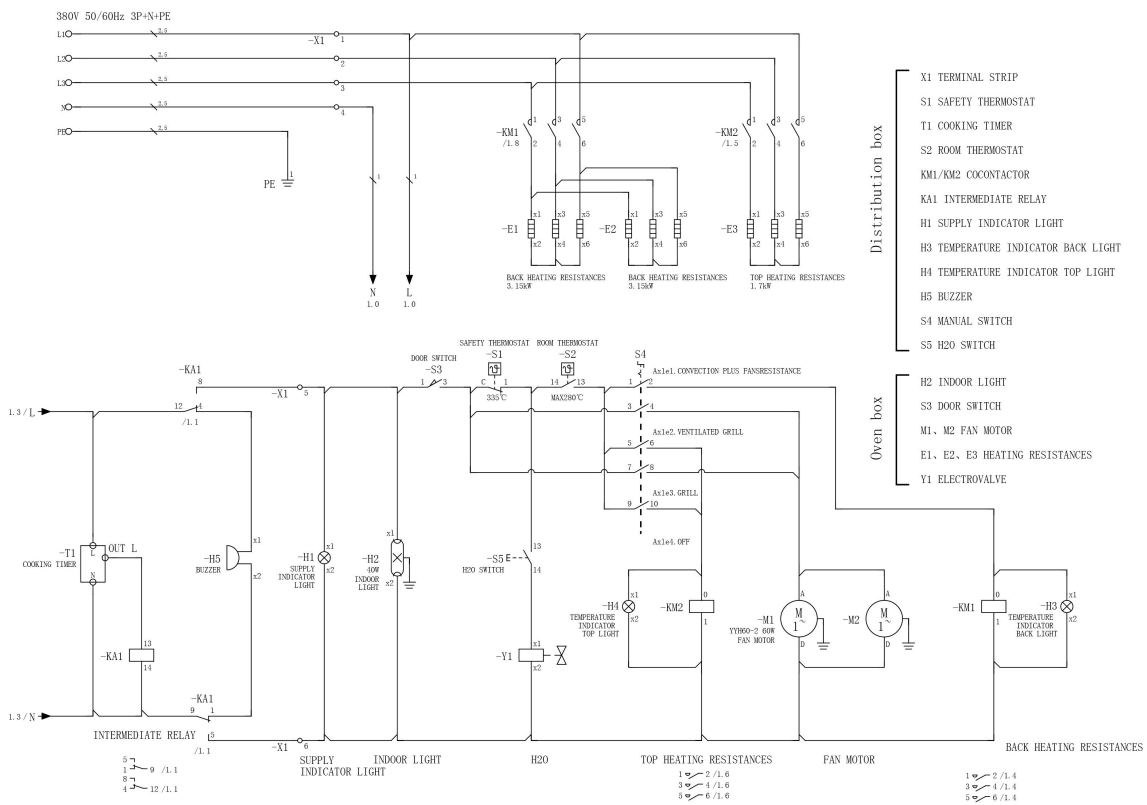
# OV533GN OV6043



# OV6044H



# OV6044HG



## Oven box:

H2 INDOOR LIGHT    S3 DOOR SWITCH    M1、M2 FAN MOTOR  
E1、E2 HEATING RESISTANCES

## Distribution box:

X1 TERMINAL STRIP                      S1 SAFETY THERMOSTAT  
T1 COOKING TIMER                        S4 ROOM THERMOSTAT  
K1 POWER CONTACTOR                    KA1 INTERMEDIATE RELAY  
H1 SUPPLY INDICATOR LIGHT  
H3 TEMPERATURE INDICATOR LIGHT                      H4 BUZZER

## 7、Maintenance

### 7.1 DOOR DISASSEMBLY FOR MAINTENANCE OPERATIONS



#### CAUTION

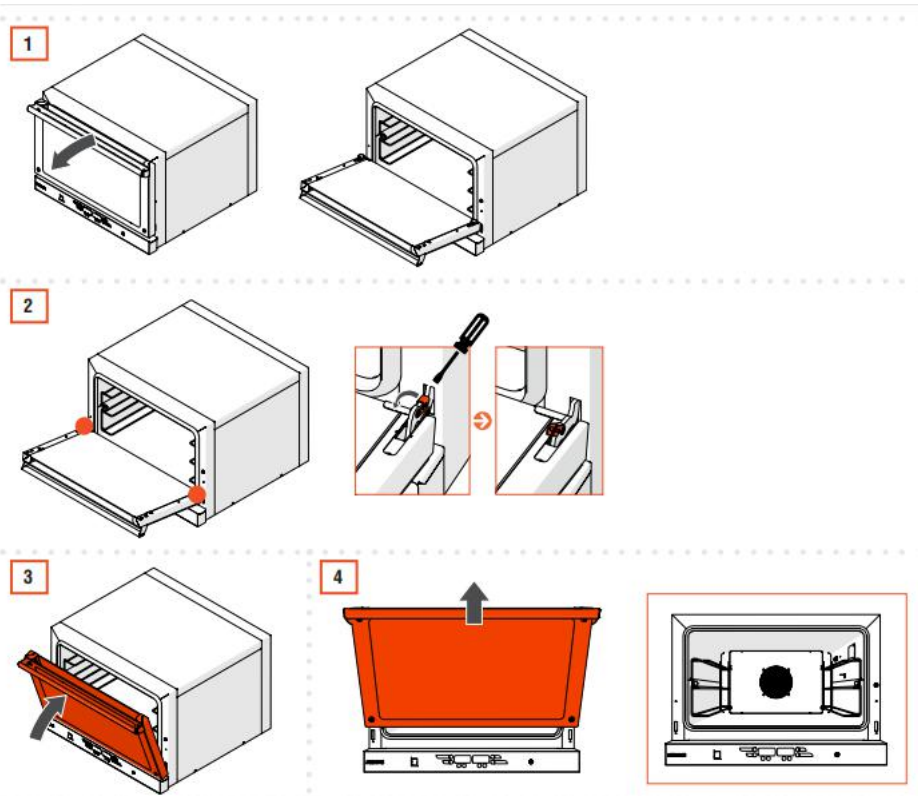
**Falling hazard. The oven door is heavy. Be careful during disassembly. Remove the oven door to allow for easier maintenance. Then place it gently on a surface.**

For dismantling the door step:

1. Open the door all the way.
2. Turn the 2 safety catches to unlock them.
3. Take the door manually from both sides. Close it partially until it locks, leaving an opening angle of about 30°.

**Note:** the ends of the 2 stops must snap in the housing of the door hinge.

4. Lift the door upwards and extract it from the housings of the hinge on the oven



To reassemble the door, reinsert the hinges in the dedicated housings on the oven and open it all the way.

To reassemble the door, reinsert the hinges in the dedicated housings on the oven and open it all the way.

Reposition the 2 hinge stops in their original position, therefore facing the oven. Verify correct alignment.

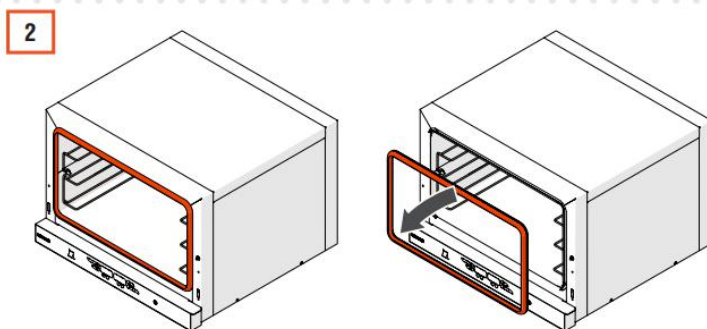
## 7.2 Door gasket replacement

2.1 Dismantle the door.

3.2 Gently pull out one corner of the gasket and remove it from the housing

3.3 Replace the gasket with one that has the same characteristics.

3.4 Refit the oven door



## 7.3 INTERNAL GLASS DISASSEMBLY / REPLACEMENT

Remove the inner glass for easy cleaning or in case of damage.

In case of damage, recover the glass shards without releasing them in the

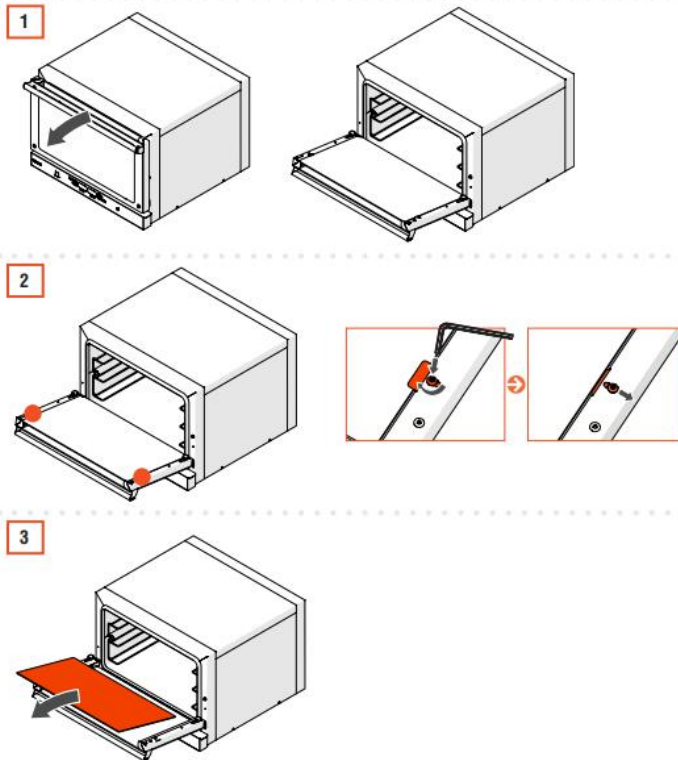
environment. Handle with care to avoid cuts.

To dismantle/replace the inner glass:

Step1. Open the door all the way.

Step2. Loosen the 2 inner glass blocks, using an Allen key. Move them to the open position following the movement indicated by the arrows.

Step3. Remove the glass by gently pulling upwards.



## 7.4 LAMP REPLACEMENT

**Use a lamp with the same technical characteristics. The lamp must be suitable for high temperatures.**

Step1. Open the door all the way.

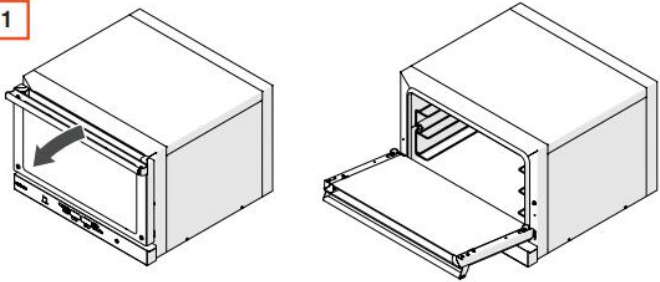
Step2. Manually unscrew the fastening pawl of the inner tray support. Gently remove the inner tray holder.

Note:only on the side of the lamp.

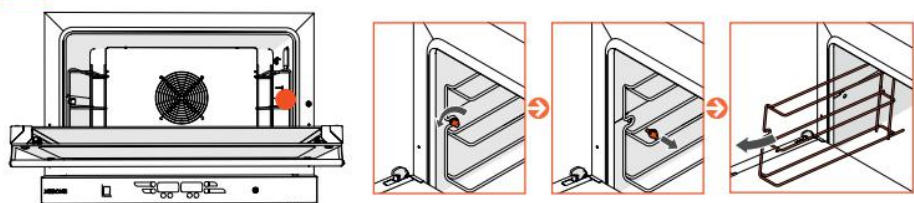
Step3. Pull out the glass lamp cover by hand.

Step4.Unscrew and remove the lamp. Replace it with one having the same technical characteristics.

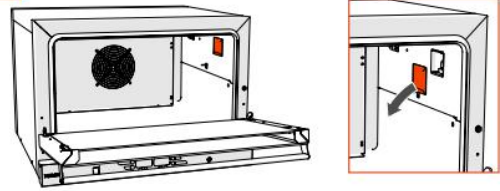
1



2



3



4

